



## PB3000 Parking Barrier

The PB3000 parking barrier is an ideal automatic car park barrier for parking lot and security control; it can easily integrate with revenue collection and access control systems.

The ZKTeco parking product range does not only offer fast opening times, long-life cycle, reliability and quality. Furthermore, based on the extraordinary structural design, the device has a compact size, excellent waterproof dustproof performance and low noise operation. Also it greatly reduces the difficulty of equipment maintenance that effectively reduces the operation cost of the user.

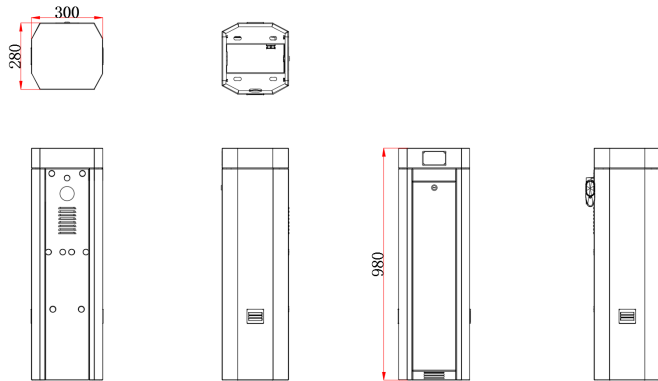
### Features

- The modularly designed housing made of stainless steel offers best protection against corrosion. (Provide a variety of appearance colors)
- The control unit is located directly underneath the top cover and can be accessed from all sides.
- Independent research and development rolling pressure spring technology; extending product life.
- The compact structure design is convenient for packing and saving transportation cost.
- Simple installation; it is only necessary to screw the equipment on the ground and connect the electricity.
- Abundant production strength, provide mass customization service.

# Specifications

Model No.	PB3010L/R	PB3030L/R	PB3060L/R
Lane width	3m	4.5m	6m
Opening / closing time	1.8s	3s	6s
Supply voltage	110V AC or 220V AC	110V AC or 220V AC	110V AC or 220V AC
Power consumption max.	200W	200W	200W
Frequency	50-60Hz	50-60Hz	50-60Hz
Cabinet material	powder coated steel	powder coated steel	powder coated steel
Boom material	aluminum alloy	aluminum alloy	aluminum alloy
Base frame	cast iron	cast iron	cast iron
Temperature range	-20°C~+60°C	-20°C~+60°C	-20°C~+60°C
Humidity range	≤90%	≤90%	≤90%
Ingress protection	IP54	IP54	IP54
Housing dimensions (W x D x H)	300 * 280 * 980 (mm)	300 * 280 * 980 (mm)	300 * 280 * 980 (mm)
Packing dimensions (W x D x H)	460 * 420 * 1150 (mm)	460 * 420 * 1150 (mm)	460 * 420 * 1150 (mm)
Net weight (without boom)	56kg	56kg	56kg
Gross weight (without boom)	72kg	72kg	72kg

## Dimensions



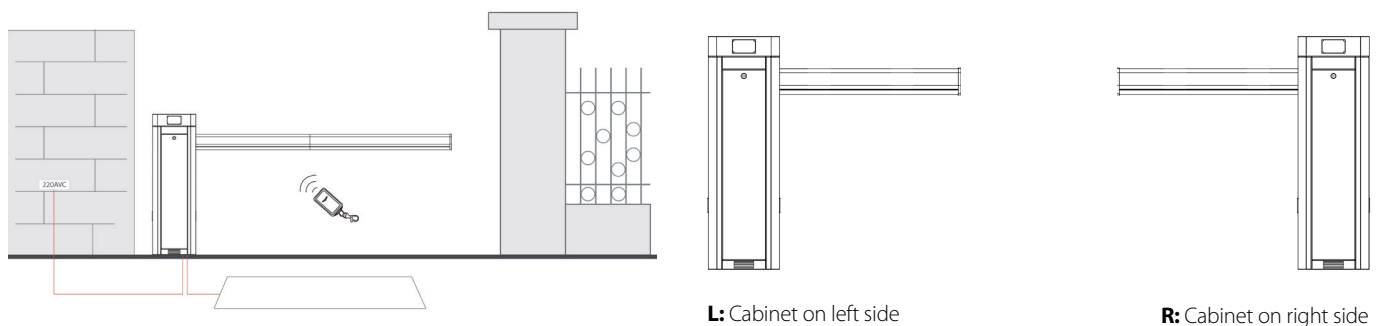
## Optional accessories

Loop detector      Photo cell      Siren  
 Remote transmitter      Loop

## Optional Functions

Heater system  
 Cooling system  
 Wooden package  
 Controller (C3-100 or InBio160)

## Typical Installation



**L:** Cabinet on left side

**R:** Cabinet on right side